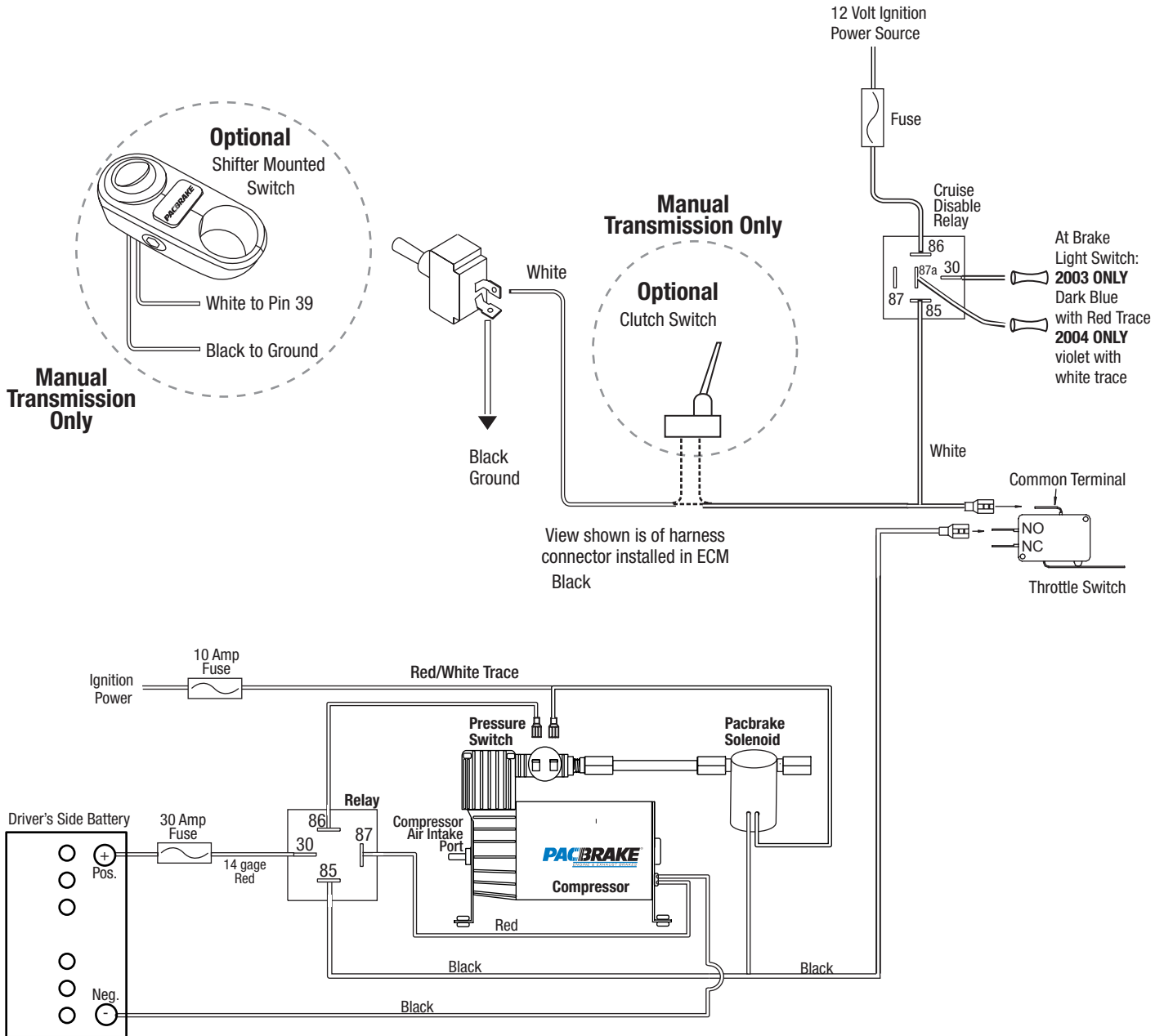


## Pacbrake Exhaust Brake Wiring Schematic For:

### DODGE COMPRESSOR WIRING - Vehicles using ECM Bypass



**NOTE: Compressor assemblies built prior to January 1 2005 are wired differently than shown in this schematic. Please visit our website to view previous schematic: [www.pacbrake.com](http://www.pacbrake.com).**