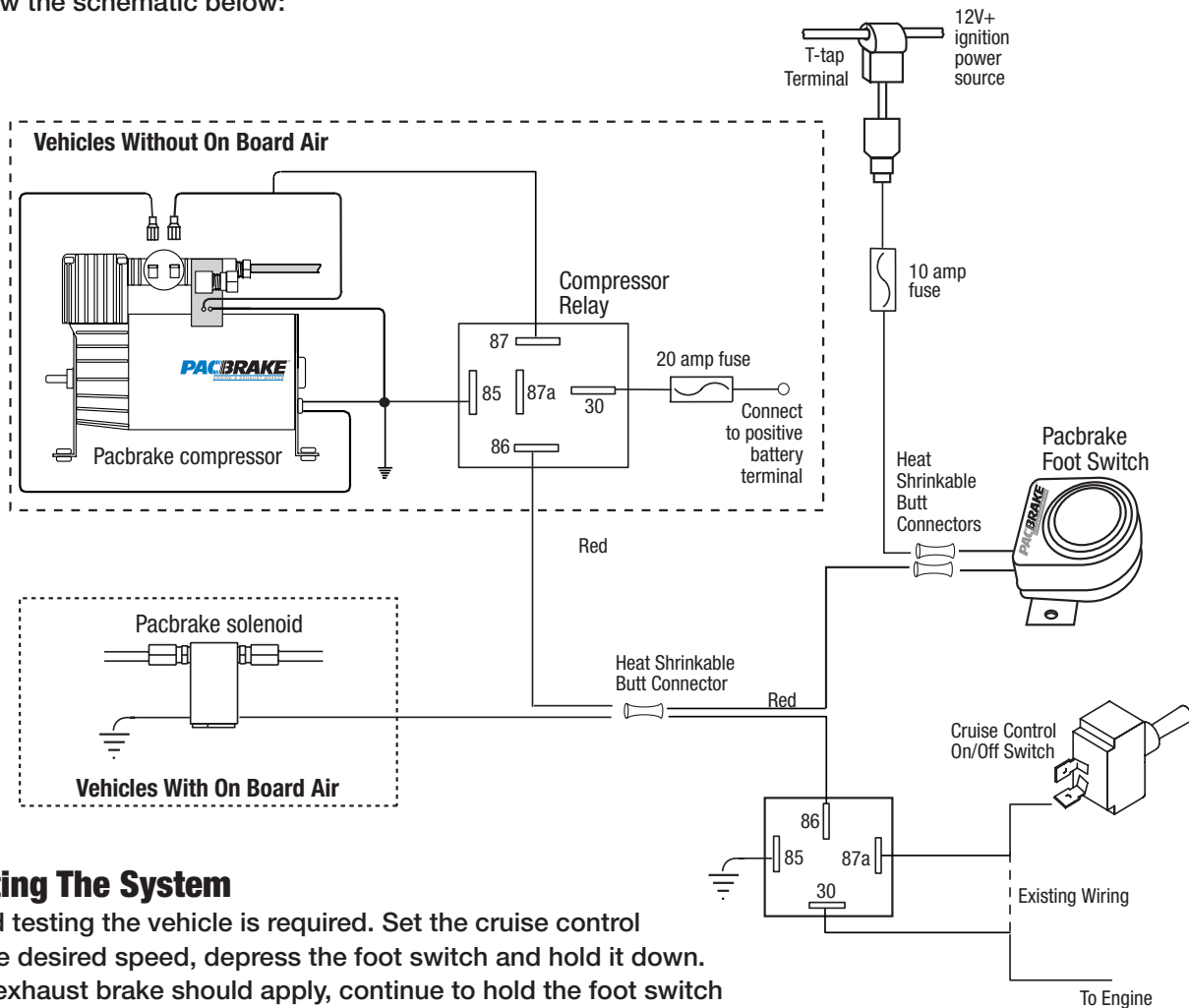


## Subject: C12053 Cruise Control Disable Kit For Use With Pacbrake C12051 or C12052 Foot Switch Activation Group

The purpose of the cruise disable relay is to ensure the exhaust brake is not applied when the cruise control is accelerating the vehicle. The parts supplied in this kit and the schematic are designed to disable the cruise control when the exhaust brake is activated by depressing the foot switch.

### Installation Procedure

Locate the cruise control on/off wire. It may be expedient to contact the vehicle manufacturer for the location and wire colors. In a convenient location, cut the cruise on/off wire and attach one end to terminal #30 and the other end to terminal #87a of the relay supplied. Connect terminal #85 to a good chassis ground using the black wire supplied. Connect relay terminal #86 to the Pacbrake solenoid or compressor enable wire. Follow the schematic below:



### Testing The System

Road testing the vehicle is required. Set the cruise control to the desired speed, depress the foot switch and hold it down. The exhaust brake should apply, continue to hold the foot switch until the vehicle is well below the cruise set speed. The cruise control must not try to accelerate the vehicle while the exhaust brake is applied.