

Pacbrake Exhaust Brake Wiring Schematic For:

C12051 and C12052 Foot Switch Control Group Interface with Pacbrake Exhaust Brake

The foot switch actuation system is a basic means for engaging the exhaust brake when requested by the vehicle operator. The operator must be made aware that depressing the foot switch will apply the exhaust brake regardless of throttle position. Many variations of this basic system need to be considered depending on the vehicles optional equipment and operator.

Antilock Braking Systems: Most ABS manufacturers provide a signal to disable the exhaust brake if wheel lock up occurs. If a retarder disable circuit is provided by the ABS manufacturer the exhaust brake must be interfaced. If so equipped, contact the ABS Manufacturer with the model number, location of the ABS ECU and whether your vehicle has air or pneumatic brakes. Allison MD 3060 and 1000/2000/ 2400 Series transmission equipped vehicles do not require adding an ABS disable relay.

Pacbrake ABS interface kit # C12029

Automatic Transmissions: The transmission should have a lock-up torque converter for best exhaust brake performance. Allison MD 3060 and 1000/2000/2400 Series have lock-up torque converters and require the exhaust brake be interfaced with the transmission ECU. Interfacing provides automatic downshifting to enhance exhaust brake performance and a torque converter unlock feature.

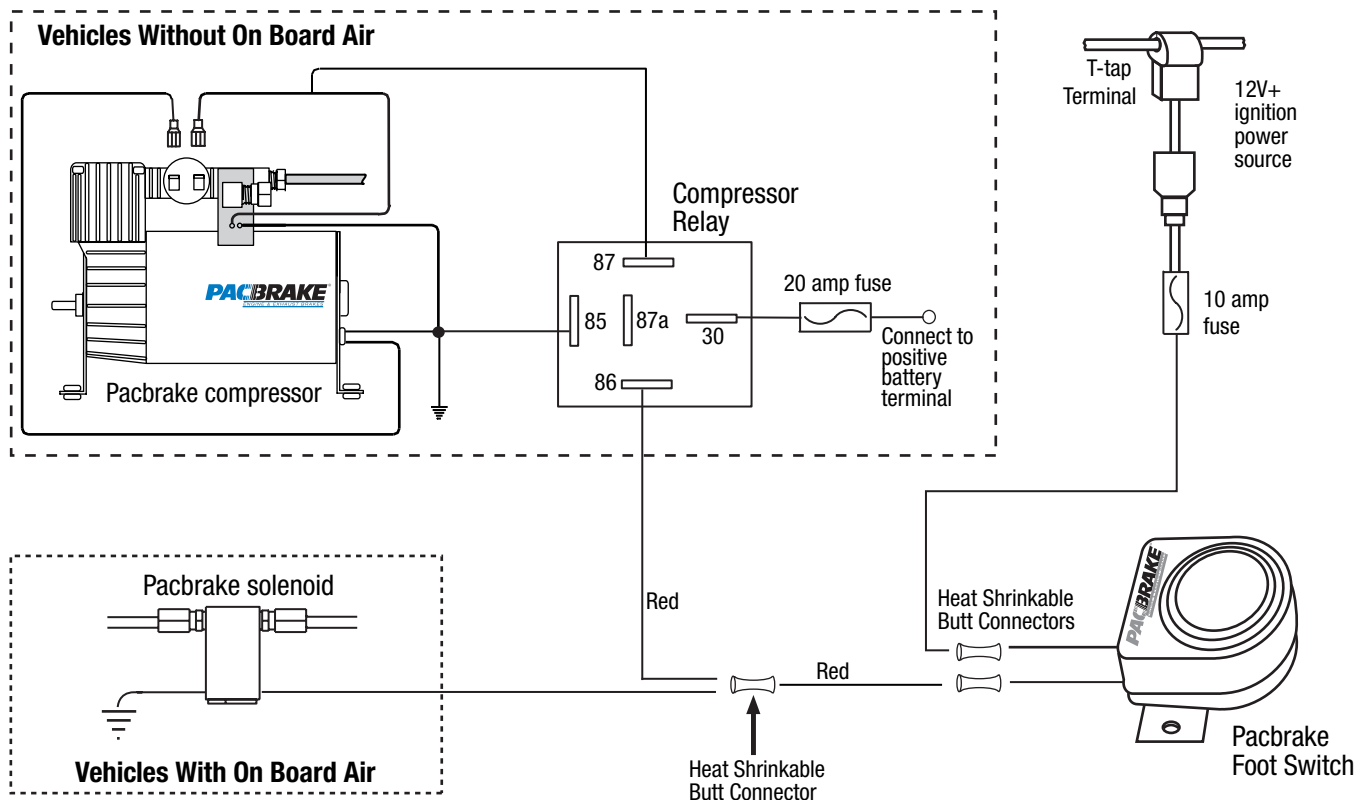
Pacbrake interface kit for MD 3060 is kit # C13060 E and 1000/2000/2400 Series is kit # C11981.

Cruise Control: The exhaust brake should be interfaced with the cruise off / on circuit to prevent the exhaust brake from being applied when the cruise is accelerating the vehicle.

Pacbrake Cruise interface kit # C12053

Engine Warm up Feature: The exhaust brake may be used as an aid to warming up the engine in cold weather. This requires a separate circuit be installed to apply the exhaust brake at engine speeds above idle.

Pacbrake warm up interface kit # C12050



NOTE:

- Visit www.pacbrake.com for the most current or a specific wiring schematic.
- Information for this schematic was derived from vehicle systems at the date of this printing.
- Updates or variations by vehicle manufacturers constituting changes will not be the responsibility of Pacbrake.

Phone: 800-663-0096 • Fax: 604-882-9278 • E-mail: info@pacbrake.com • Internet: www.pacbrake.com

Pacbrake® is a registered trademark of Pacbrake Company. Other trademarks used herein are property of their respective holders. Printed in Canada

L5436.271004