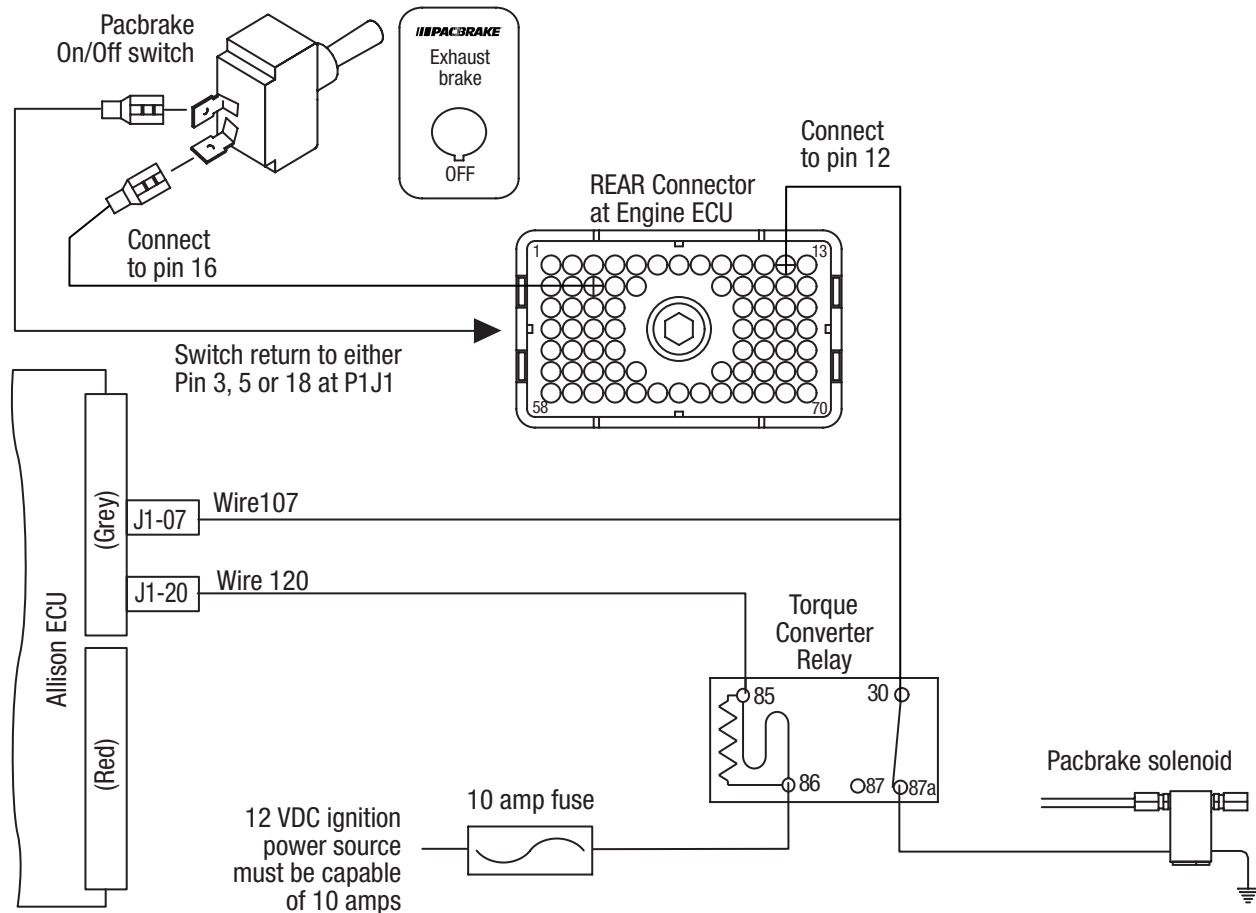


## CATERPILLAR 3126E C-7, C-9

FOR VEHICLES: (WITH) Allison 1000 / 2000 / 2400 Series transmissions (WITH or WITHOUT) ABS braking (WITH) on-board air system

Note: Do not use on vehicles equipped with Allison 4th Generation Transmissions, they are identified by one connector at the transmission ECU, consult Pacbrake factory. Engine ECU must be enabled by a Caterpillar dealer.



The switch input at J1/P1:16 requires that the "Exhaust Brake Switch" be programmed to "Installed". The Parameter "Exhaust Brake Warm-Up Configuration" must be programmed to "Exhaust Brake Only" or "Exhaust Brake & Warm-up".

Early 2002 production 3126E engines have the ability to be programmed to allow the exhaust brake to assist the engine in warming up faster in cold weather. Program, customer parameter to "Exhaust Brake and Warm-up" and program warm-up mode IDLE speed to 1100 RPM.

### NOTE:

- \* View shown is looking at the harness side of the connector.
- Relays shown are de-energized.
- Information for this schematic was derived from vehicle systems at the date of this printing.
- Updates or variations by vehicle manufacturers constituting changes will not be the responsibility of Pacbrake.