

Product SUPPLEMENT

1999/2000 DODGE 24 VALVE CUMMINS TURBO DIESEL

Changes made by Dodge to the 1999 model year Ram trucks require an additional kit C14099. These kits are available from Pacbrake Distribution Centers and include a turbocharger V-clamp, outlet flange, gasket and installation procedure.

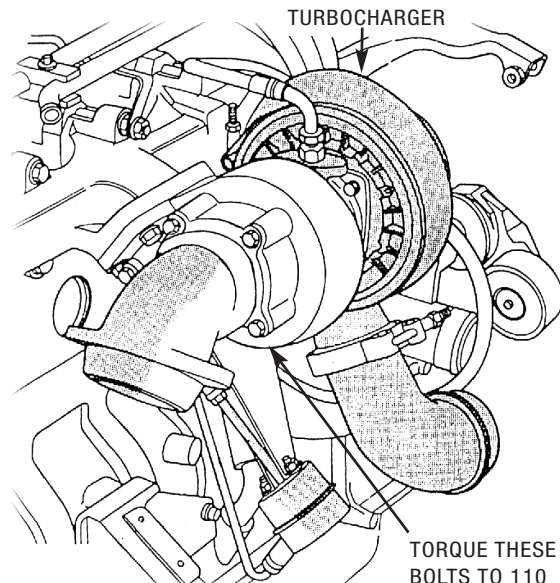
INSTALLATION PROCEDURE:

This supplement replaces Step 2 in the Pacbrake installation manual (Form #L2016)

Remove and save the two exhaust pipe flange bolts that attach the exhaust pipe to the turbo outlet elbow. Then remove and save the five bolts that attach the turbo outlet elbow to the turbocharger, remove the elbow and the gasket from the turbocharger.

Check the gasket surface for imperfections, if OK, install the turbo flange and new gasket supplied, re-using the five bolts removed earlier. Torque these bolts to 110 lbs./in in a star pattern, then re-torque to 220 lbs./in in a star pattern. After road test recheck torque to 220 lbs./in.

Proceed to step 3 in the Pacbrake Installation manual.



WASTEGATE TURBOCHARGER

TORQUE THESE BOLTS TO 110 LBS.IN. IN A STAR PATTERN, THEN RE-TORQUE TO 220 LBS.IN. IN A STAR PATTERN. AFTER ROAD TEST RE-CHECK TORQUE.

PACBRAKE[®]
ENGINE & EXHAUST BRAKES