

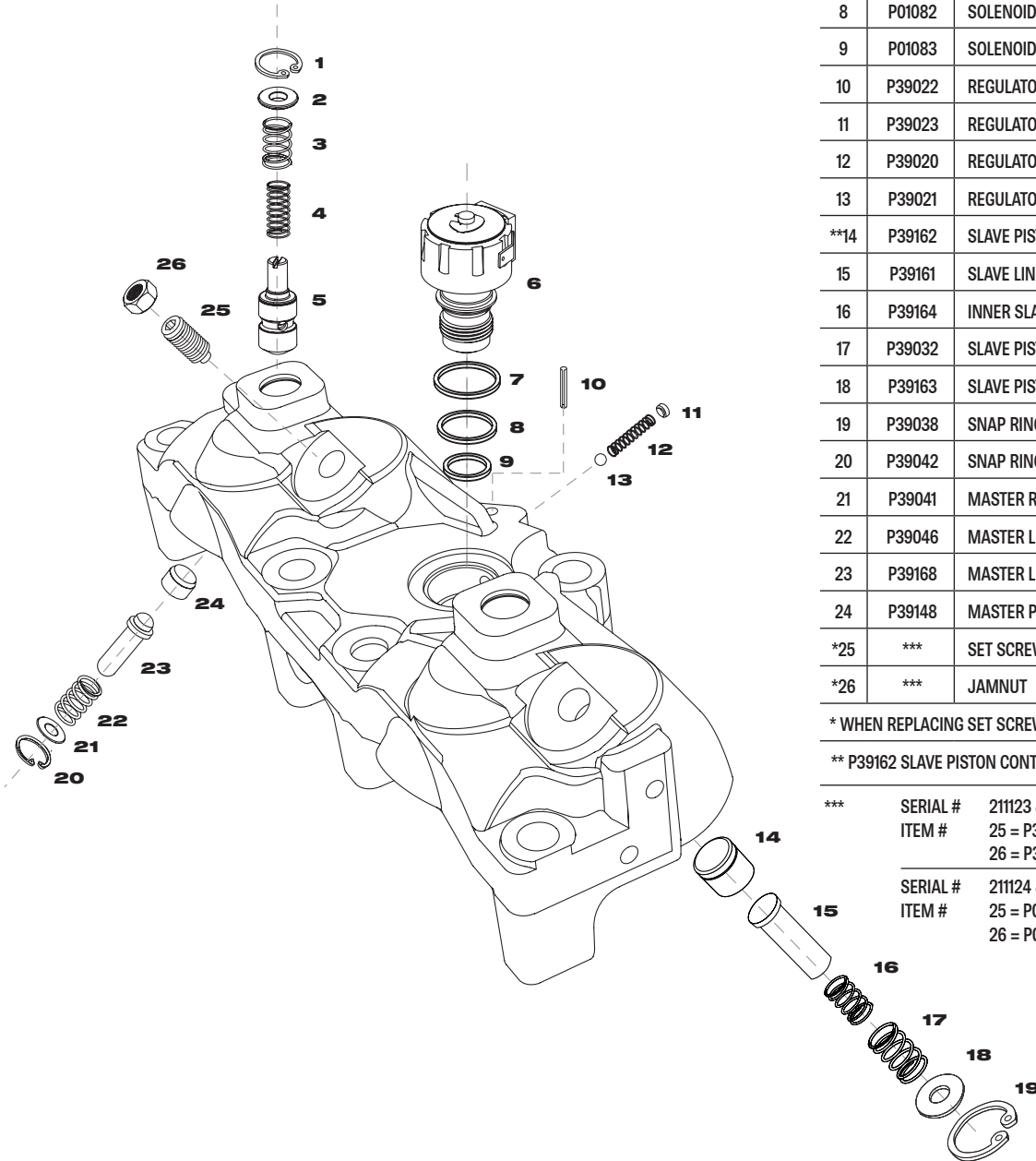
P-39D

ENGINE BRAKE PARTS GUIDE

APPLICATION | CATERPILLAR C-15/C-16 3406E ENGINES
FOR ENGINES WITH SERIAL NUMBER PREFIX OF MBN ONLY

The logo for PACBRAKE, featuring the word "PACBRAKE" in a bold, blue, sans-serif font. The "P" and "A" are stylized with vertical lines through them. A registered trademark symbol (®) is located at the end of the word.

P-39D - P39016 HOUSING ASSEMBLY



#	PART #	DESCRIPTION	QTY
1	P15561	SNAP RING	2
2	P38015	WASHER	2
3	P11434	OUTER CONTROL VALVE SPRING, WHITE	2
4	P11435	INNER CONTROL VALVE SPRING, NATURAL	2
5	P01500	CONTROL VALVE	2
6	P39015	SOLENOID 12VOLT D/L	1
7	P01081	SOLENOID SEAL-UPPER	1
8	P01082	SOLENOID SEAL-CENTER	1
9	P01083	SOLENOID SEAL-LOWER	1
10	P39022	REGULATOR SPRING PIN	1
11	P39023	REGULATOR RETAINER	1
12	P39020	REGULATOR SPRING	1
13	P39021	REGULATOR BALL	1
**14	P39162	SLAVE PISTON ASSEMBLY, 1.250" O.D.	2
15	P39161	SLAVE LINK	2
16	P39164	INNER SLAVE SPRING, NATURAL	2
17	P39032	SLAVE PISTON SPRING, RED	2
18	P39163	SLAVE PISTON RETAINER	2
19	P39038	SNAP RING	2
20	P39042	SNAP RING	2
21	P39041	MASTER RETAINER	2
22	P39046	MASTER LINK SPRING, NATURAL	2
23	P39168	MASTER LINK	2
24	P39148	MASTER PISTON, 0.750" O.D.	2
*25	***	SET SCREW SOLID	2
*26	***	JAMNUT	2

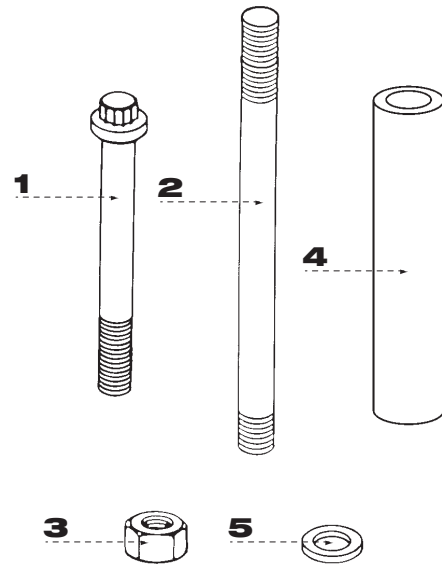
* WHEN REPLACING SET SCREWS/JAMNUTS, REPLACE ALL 6

** P39162 SLAVE PISTON CONTAINS LASH MECHANISM IN PISTON

***	SERIAL #	211123 & BELOW, USE
	ITEM #	25 = P39159
		26 = P39160
	SERIAL #	211124 & UP, USE
	ITEM #	25 = P09916
		26 = P09355

ATTACHING GROUP

#	PART #	DESCRIPTION	QTY
1	P39072	CAPSCREW-P39 SERIES	12
2	P39077	STUD-P39	3**
3	P39073	NUT-HEAVY HEX	3**
4	P39048	SUPPORT TUBE - P39	3**
5	P39074	WASHER-P39	12



OPTIONAL ITEMS

#	PART #	DESCRIPTION	QTY
1	P60125	SWITCH PLATE	1
2	P02957	TOGGLE SWITCH-1/2/3	1
3	P01305	SWITCH PLATE-OFF	1
4	P01304	TOGGLE SWITCH - ON/OFF	1
5	P11494	SOLENOID SOCKET	1

