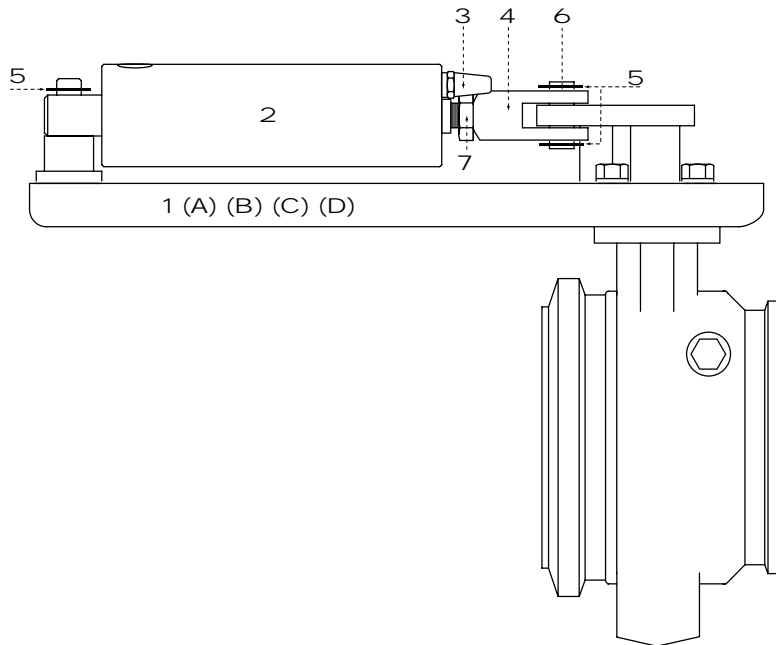


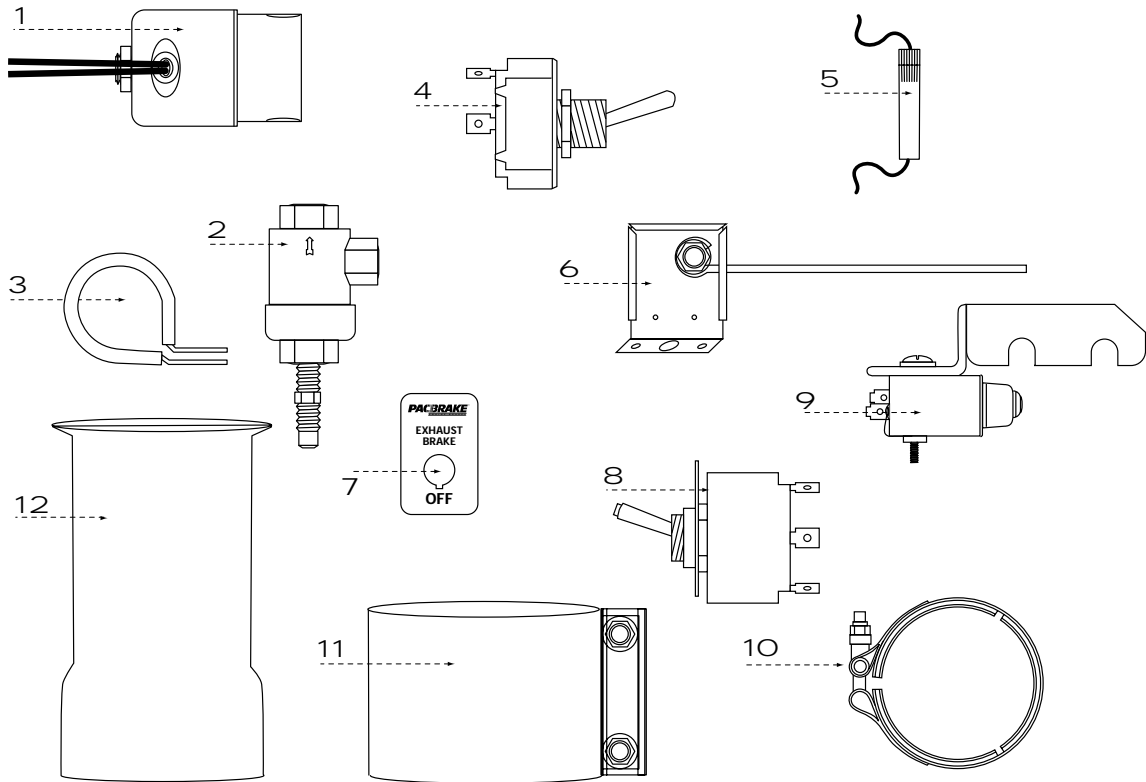
## CUMMINS 8.3 C & ISC VOCATIONAL & COACH APPLICATIONS

| AETERMKT KIT # | DESCRIPTION                     | BRAKE # | CONTROL GROUP | MOUNTING GROUP |
|----------------|---------------------------------|---------|---------------|----------------|
| C10320         | CUMMINS C8.3 1/2 MARMON W/AIR   | C10325  | C10211        | C11541         |
| C13036         | CUMMINS C8.3 FREIGHTLINER W/AIR | C10340  | C10217        | C11546         |
| C16000         | CUMMINS ISC 1/2 MARMON W/AIR    | C10335  | C10218        | C11541         |
| C16070         | CUMMINS ISC FREIGHTLINER W/AIR  | C10395  | C10218        | C11546         |

| ILLUST. #   | PART #          | DESCRIPTION      | QTY |
|-------------|-----------------|------------------|-----|
| 1 (A,B,C,D) | SEE CHART BELOW | BRAKE HOUSING    | 1   |
| 2           | C11596          | CYLINDER         | 1   |
| 3           | C10833          | CYLINDER MUFFLER | 1   |
| 4           | C10415          | CLEVIS           | 1   |
| 5           | C10420          | E-CLIP           | 3   |
| 6           | C10425          | CLEVIS PIN       | 1   |
| 7           | C10430          | CLEVIS JAM NUT   | 1   |

|    | BRAKE MODEL | BRAKE HSG # |
|----|-------------|-------------|
| 1A | C10325      | C10326      |
| 1B | C10335      | C10336      |
| 1C | C10340      | C10341      |
| 1D | C10395      | C10396      |





QUANTITY INCLUDED IN EACH SUBGROUP

| ILLUST. # | PART #      | DESCRIPTION                            | C10211 | C10217 | C10218 |
|-----------|-------------|--|--------|--------|--------|
| N.I.      | C10107      | WIRE BRAID HOSE                        | 1      | 1      | 1      |
| 1         | C10550      | 12V SOLENOID                           | 1      | 1      | 1      |
| 2         | C10559      | QUICK RELEASE VALVE W/ ORIFICE FITTING | 1      | 1      | 1      |
| N.I.      | C10570      | 1/8" NPT FITTING                       | 1      | 1      | 1      |
| N.I.      | C10572      | 1/4" NPT FITTING                       | 1      | 1      | 1      |
| N.I.      | C10583      | 1/8" NPT STEEL FITTING                 | 1      | 1      | 1      |
| N.I.      | C10660      | NYLON TUBE 4'                          | 1      | 1      | 1      |
| 3         | C10805      | SOLENOID CLAMP                         | 1      | 1      | 1      |
| N.I.      | C11042      | 1/4" NPT FITTING                       | 1      | 1      | 1      |
| N.I.      | C11043      | FEMALE FITTING                         | 1      | 1      | 1      |
| N.I.      | C11706      | WIRE HARNESS                           | 0      | 0      | 1      |
| 4         | P01304      | SWITCH                                 | 0      | 0      | 1      |
| 5         | P01300      | FUSE HARNESS                           | 1      | 1      | 0      |
| 6         | P01495      | CLUTCH SWITCH                          | 1      | 0      | 0      |
| 7         | C10315      | SWITCH PLATE                           | 1      | 1      | 1      |
| 8         | C11304      | LIGHTED SWITCH                         | 1      | 1      | 0      |
| 9         | C11327      | THROTTLE SWITCH ASSEMBLY               | 0      | 1      | 0      |
| PART #    | DESCRIPTION | C11541                                 | C11546 |        |        |
| 10        | C10310      | V-CLAMP                                | 0      | 1      |        |
| 10        | C11355      | V-CLAMP                                | 1      | 0      |        |
| 10        | C11350      | V-CLAMP                                | 1      | 0      |        |
| 11        | C11356      | 4" LAP JOINT CLAMP                     | 1      | 0      |        |
| 11        | C11358      | 4" BUTT JOINT CLAMP                    | 0      | 1      |        |
| 12        | C11349      | 4" STAINLESS ADAPTER                   | 1      | 0      |        |

