

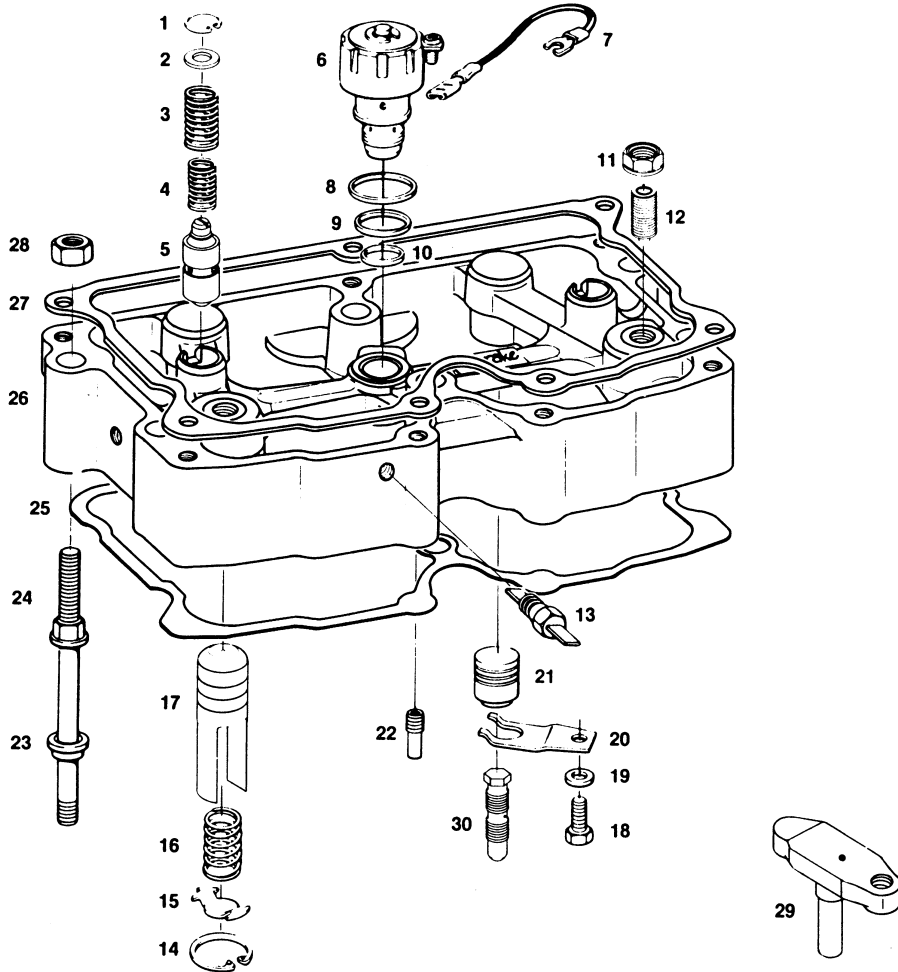
# P-38

## ENGINE BRAKE PARTS GUIDE

APPLICATION | 88NT CUMMINS ENGINES (STEPPED/FIXED TIMING CONTROL)

**PACBRAKE**<sup>®</sup>

**P-38 - P38005 HOUSING ASSEMBLY  
(REPLACEMENT HOUSING IS OBSOLETE)**



#	PART #	DESCRIPTION	QTY
1	P15561	SNAP RING	2
2	P38015	PLAIN WASHER	2
3	P11434	OUTER CONTROL VALVE SPRING	2
4	P07500	INNER CONTROL VALVE SPRING	2
5	P11930	CONTROL VALVE	2
6	P04205	SOLENOID-12VOLT	1
7	P02390	SOLENOID HARNESS-CUMMINS	1
8	P01081	SOLENOID SEAL-UPPER	1
9	P01082	SOLENOID SEAL-CENTER	1
10	P01083	SOLENOID SEAL-LOWER	1
11	P09353	FLANGED NUT	2
12	P38070	PACLASH ADJUSTING SCREW P-38	2
13	P02299	TERMINAL ASSEMBLY	1
14	P01023	RETAINING RING	2
15	P08895	SLAVE PISTON RETAINER	2
16	P40055	SLAVE PISTON SPRING	2

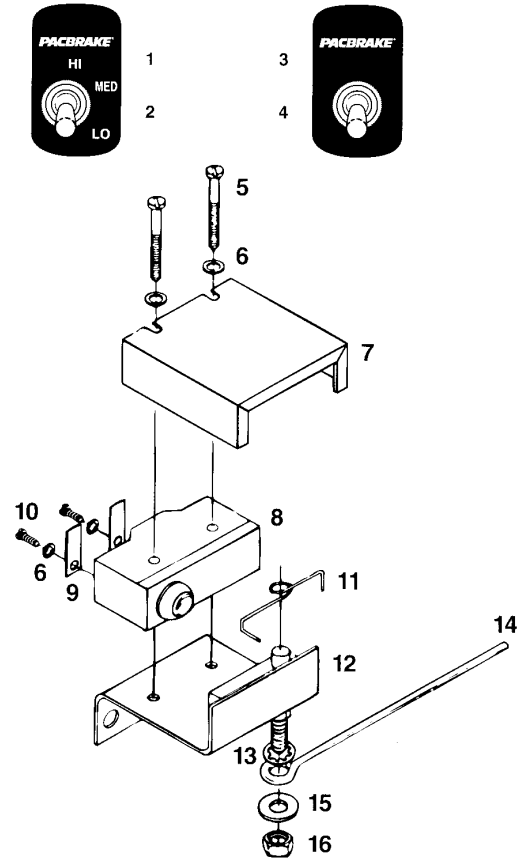
#	PART #	DESCRIPTION	QTY
17	P40060	SLAVE PISTON P40	2
18	P01492	CAPSCREW-1/4X1/2 HEXHEAD	2
19	P01030	SPRING RETAINER	2
20	P07447	MASTER PISTON SPRING	2
21	P38020	MASTER PISTON	2
*22	P38025	OIL SUPPLY SCREW P-38	3
*23	P02514	STUD WASHER	18
*24	P38030	STUD ASSEMBLY	18
*25	P38035	HOUSING GASKET	3
26	P38005-B	HSG BARE	3
*27	P08532	VALVE COVER GASKET (CORK)	3
*28	P01094	NUT-1/2" NC, HEAVY HEX	18
*29	P14873	CROSSHEAD	6
*30	P38040	X-HEAD - F.T. CONTROL	6
*31	P38045	INJECTOR ADJUSTING SCREW	6

\*NOT INCLUDED IN HOUSING ASSEMBLY

## CAB CONTROL GROUPS

### P01495 SWITCH ASSEMBLY

#	PART #	DESCRIPTION	QTY
1	P02957	TOGGLE SWITCH-1/2/3	1
2	P60125	SWITCH PLATE	1
3	P01305	SWITCH PLATE-OFF	1
4	P01304	TOGGLE SWITCH - ON/OFF	1
5	P01244	MACHINE SCREW	2
6	P01559	LOCK WASHER	4
7	P01506	SWITCH COVER	1
8	P01218	SWITCH	
9	P01040	TERMINAL	2
10	P01558	MACHINE SCREW 6-32 X 1/4	2
11	P01497	SWITCH SPRING	1
12	P02198	BRACKET & LEVER ASSEMBLY	1
13	P02191	LOCK WASHER	1
14	P02183	SWITCH LEVER	1
15	P02190	FLAT WASHER-1/4"	1
16	P02186	NUT-1/4" HEX NF	1
Ni.	P01300	FUSE HARNESS	1

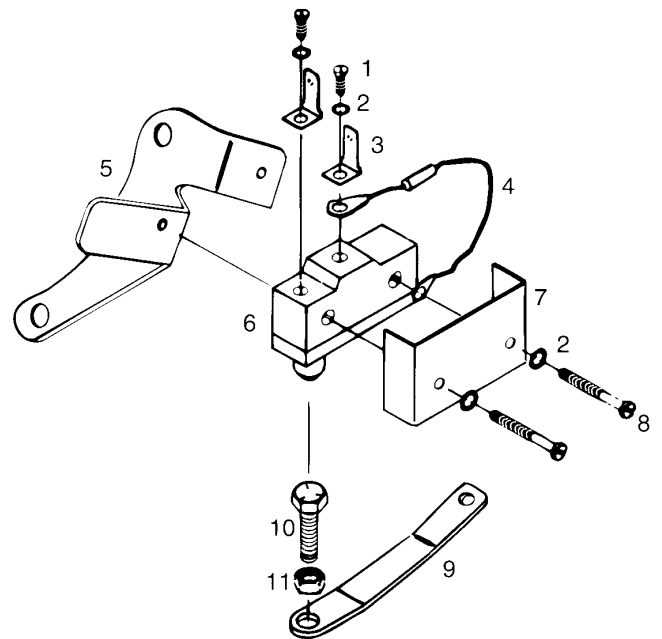


## ENGINE CONTROL GROUP

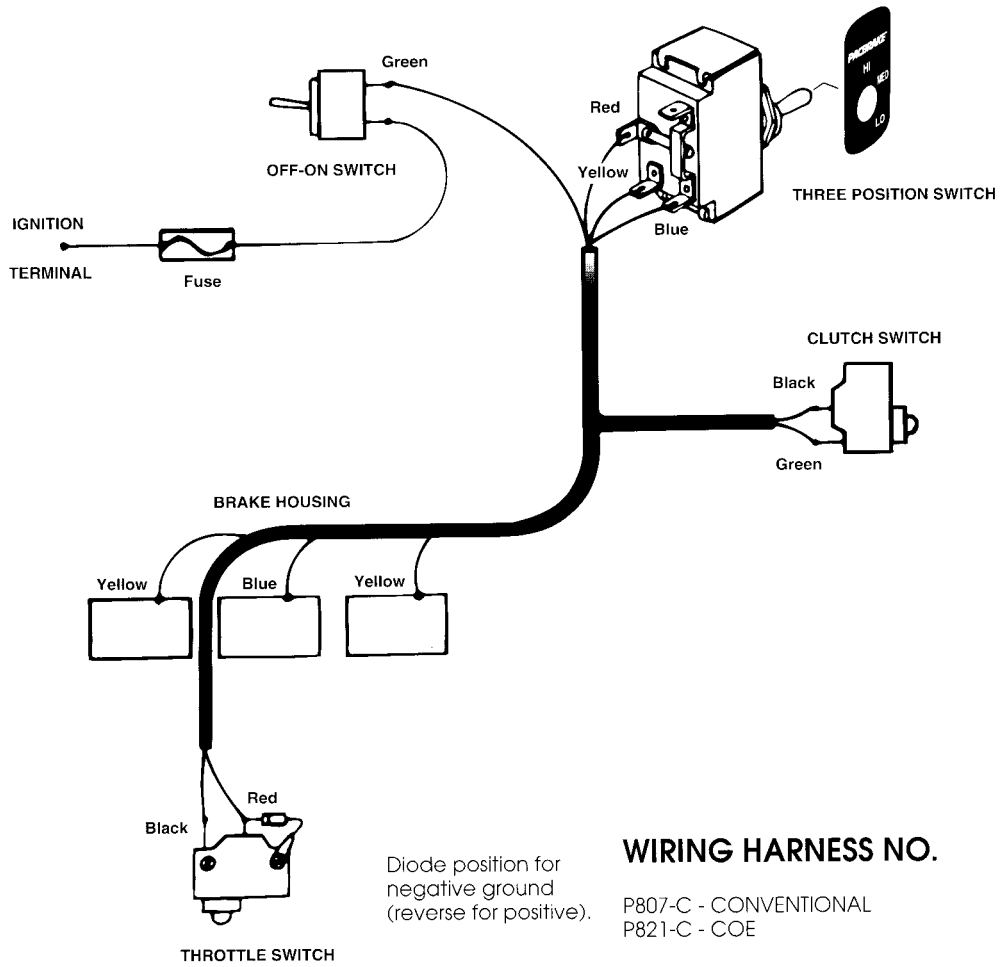
### P01219 THROTTLE SWITCH ASSEMBLY

#	PART #	DESCRIPTION	QTY
1	P01558	MACHINE SCREW 6-32 X 1/4	2
2	P01559	LOCK WASHER	4
3	P01512	TERMINAL	2
4	P01534	DIODE	1
5	P01178	SWITCH BRACKET	1
6	P01218	SWITCH	1
7	P01180	SWITCH COVER	1
8	P01244	MACHINE SCREW	2
*9	P01179	ACTUATOR ARM	1
*10	P01182	SUPERSEDED TO C10465	1
*11	P01181	NUT-HEX	1

\*NOT INCLUDED WITH P01219 KIT



# WIRING DIAGRAM



Diode position for negative ground (reverse for positive).

## WIRING HARNESS NO.

- P807-C - CONVENTIONAL
- P821-C - COE