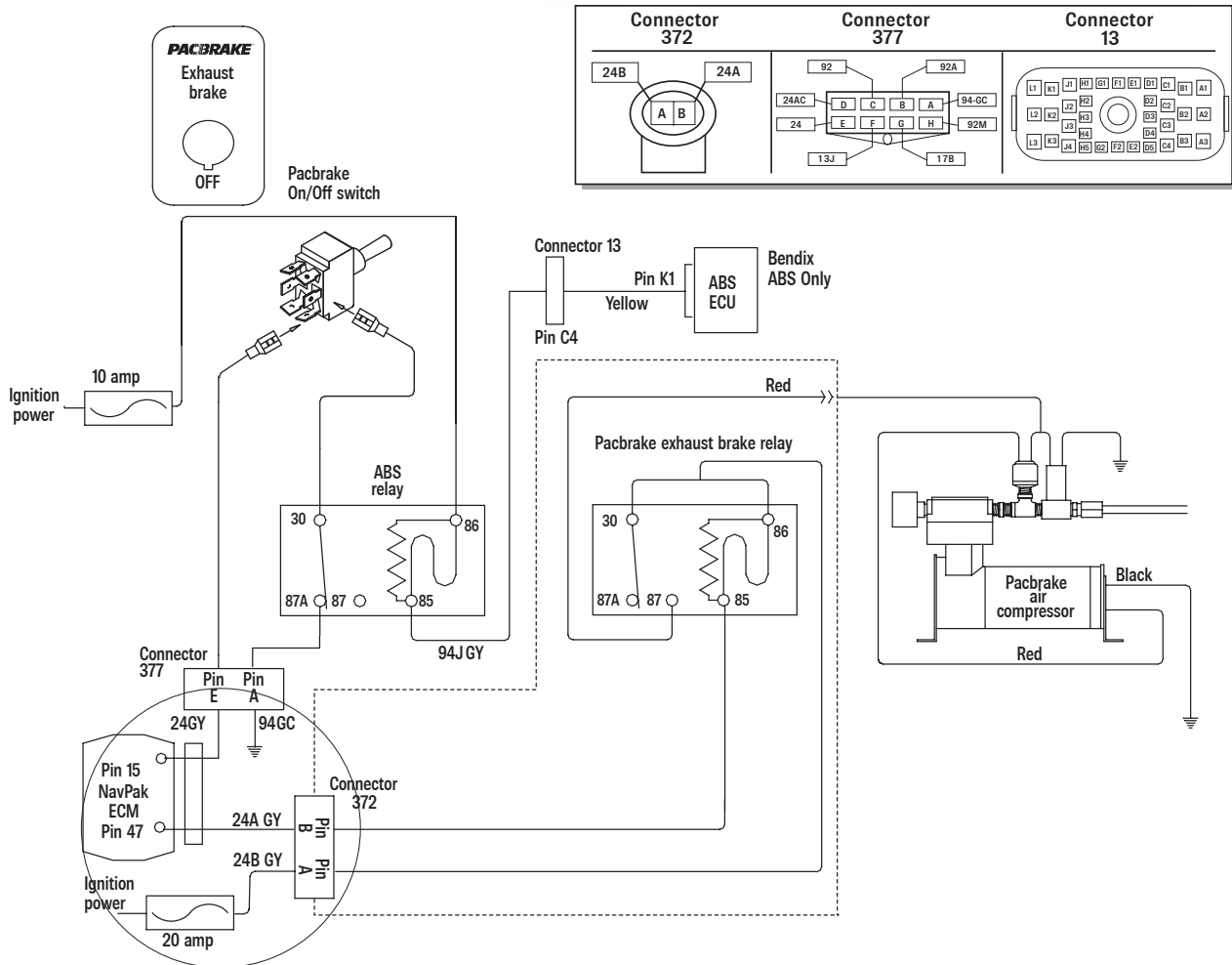


INTERNATIONAL 4700 & 4900 MODELS 444E/DT466E/DT530E NAVPAK SYSTEMS

FOR VEHICLES: (WITHOUT) Allison WT Transmission (WITH) ABS Braking (WITHOUT) On-board air supply



NOTE:

- Pacbrake wiring kit contains toggle type switch, source Navistar rocker switch part number 1619699-C2 if desired.
- The NavPak ECM requires exhaust brake circuit to be enabled.
- Relays shown are de-energized.
- Connector 372 located above starter on DT 466 and DT530. On 444E it is located behind the cylinder head drivers side. Remove protective cap and connect to Pacbrake harness (supplied).
- 8 Pin connector 377 located behind fuse panel.
- Connector 13 is on the firewall drivers side.
- Dotted area indicates Pacbrake harness PN C11804.
- Navistar supplied wires illustrated in circled area.
- Information for this schematic was derived from vehicle systems at the date of this printing.
- Updates or variations by vehicle manufacturers constituting changes will not be the responsibility of Pacbrake.