

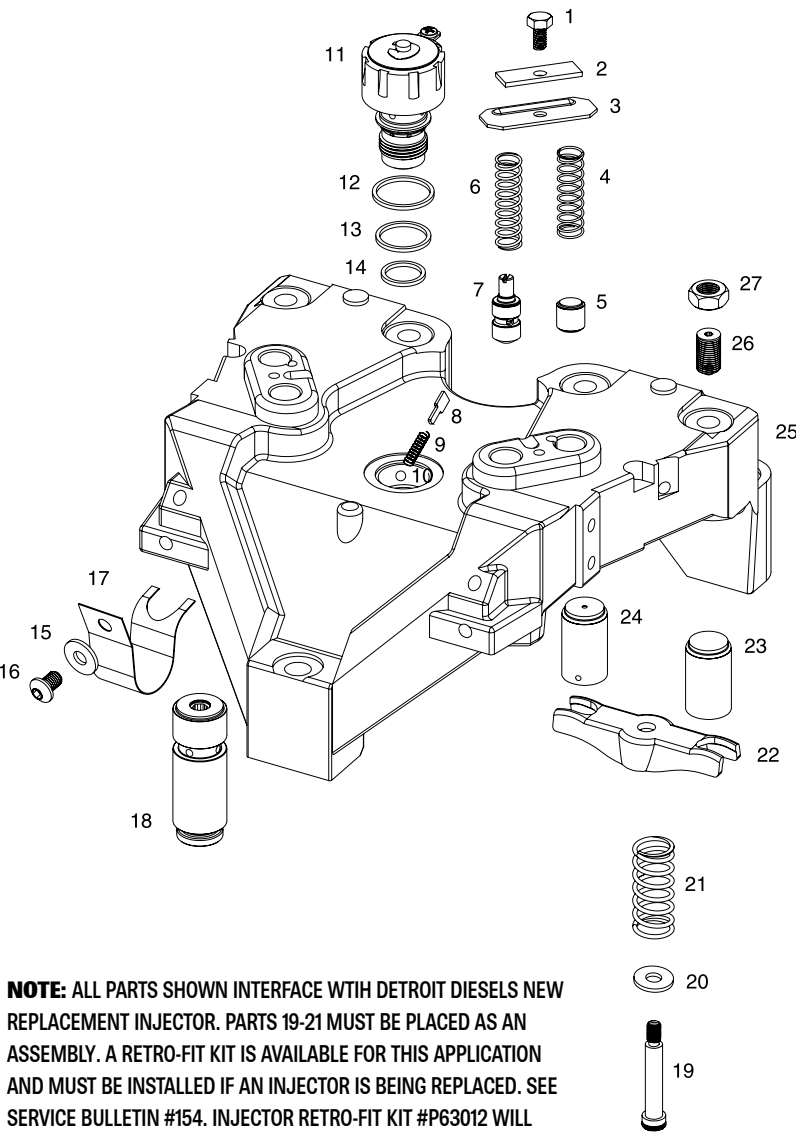
P-63A

ENGINE BRAKE PARTS GUIDE

APPLICATION | DETROIT DIESEL SERIES 60

The logo for PACBRAKE, featuring three vertical bars of varying heights to the left of the word "PACBRAKE" in a bold, sans-serif font. The "PAC" part is blue and the "BRAKE" part is black.

P-63A - P60007 HOUSING ASSEMBLY



NOTE: ALL PARTS SHOWN INTERFACE WITH DETROIT DIESELS NEW REPLACEMENT INJECTOR. PARTS 19-21 MUST BE PLACED AS AN ASSEMBLY. A RETRO-FIT KIT IS AVAILABLE FOR THIS APPLICATION AND MUST BE INSTALLED IF AN INJECTOR IS BEING REPLACED. SEE SERVICE BULLETIN #154. INJECTOR RETRO-FIT KIT #P63012 WILL UPDATE 3 HOUSINGS.

#	PART #	DESCRIPTION	QTY
1	P01492	CAPSCREW-1/4X1/2 HEXHEAD	2
2	P60019	SPRING PLATE	2
3	P34650	CONTROL VALVE COVER	2
4	P60054	ACCUMLATOR SPRING - NATURAL	2
5	P60060	ACCUMULATOR PISTON	2
6	P60053	CONTROL VALVE SPRING - BLUE	2
7	P01500	CONTROL VALVE	2
8	P60042	BALL CHECK RETAINER	1
9	P60041	BALL CHECK SPRING	1
10	P60039	BALL CHECK	1
11	P04205	SOLENOID-12VOLT	1
12	P01081	SOLENOID SEAL-UPPER	1
13	P01082	SOLENOID SEAL-CENTER	1
14	P01083	SOLENOID SEAL-LOWER	1
15	P38015	PLAIN WASHER	2
16	P03795	CAPSCREW-1/4-20 X 1/2	2
17	P60013	FLAT SPRING - P63/A/B/C	2
18	P60031	MASTER PISTON-LARGE BALL CHECK 7/8" O.D.	2
19	P60096	SHOULDER BOLT-RED (SEE: NOTE)	2
20	P80088	SPRING RETAINER WASHER (SEE: NOTE)	2
21	P80089	BRIDGE SPRING-NATURAL (SEE: NOTE)	2
22	P60070	SLAVE PISTON BRIDGE	2
23*	P60004	OUTER SLAVE PISTON-13/16" O.D.	2
24*	P60029	INNER SLAVE PISTON-13/16" O.D.	2
25	N/A	BARE HOUSING	
26	P40072	PAFLASH SCREW (12.7L) (RED) 0.114" PROTURSION	4
27	P09355	JAMNUT 1/2 NF	4
Ni.	P60007	ENGINE RETRADER HOUSING-P63A	3
Ni.	P60101	TUNE UP KIT-P61/P63/A/B/C (SOLD SEPARATELY)	

NOTE: NOT ALL P-63A BRAKES HAD SINGLE CONTROL VALVE AND ACCUMULATOR SPRINGS. TWO BATCHES OF FIELD TRIAL HOUSINGS WERE RELEASED WITH SINGLE SPRINGS BEFORE THE FINAL RELEASE. IN BETWEEN THESE FIELD TRIALS, PRODUCTION OF MULTIPLE SPRING HOUSINGS CONTINUED.

* SHORTER SLAVE PISTONS FOR ENGINES WITH RE-MAN CYLINDER HEADS.

#	PART #	DESCRIPTION	QTY
23	P60065	SLAVE PISTON - OUTER	2 (p/Hsg)
24	P60066	SLAVE PISTON - INNER	2 (p/Hsg)

BASE KITS FOR P-63A SUPERCEDED TO P63C - P63008

#	PART #	DESCRIPTION	QTY
1	P60010	ENGINE RETARDER HOUSING-P61	3
2	P60023	SPACER BAR	2
3	P60050	ATTACHING PARTS GROUP P61/P63	1

ATTACHING GROUP FOR P-61/P-63A - P60050

#	PART #	DESCRIPTION	QTY
1	P60021	CAPSCREW-12PT	9
2	P60022	WASHER	9

OPTION ITEMS FOR P-61/P-63A

#	PART #	DESCRIPTION	QTY
1	P12261T	WOBBLE SWITCH & BRACKET GROUP	1
2	P11494	SOLENOID SOCKET	1
3	P60085	HARNESS EXTENSION-COE, DDEC II	1

CONTROL GROUPS FOR P-61/P-63A WITH DDEC II - P60150

#	PART #	DESCRIPTION	QTY
1	P02970	TOGGLE SWITCH ASSEMBLY	1
2	P01304	TOGGLE SWITCH - ON/OFF	1
3	P01305	SWITCH PLATE-OFF	1
4	P01495	CLUTCH SWITCH ASSEMBLY	1
5	P60045	RELAY-12 VOLT CN	1
6	P60100	SELF DRILL & TAP SCREW	1
7	P01300	FUSE HARNESS	1
8	P60014	TIE-STRAP	12
9	P60046	HARNESS-DDEC	1
10	P60047	HARNESS-THRU HEAD	1
11	P60048	HARNESS-UNDER COVER	1
12	P64206	SOLENOID TERMINAL	3

CONTROL GROUPS FOR P-61/P-63A WITH DDEC III/IV - P60155

#	PART #	DESCRIPTION	QTY
1	P02970	TOGGLE SWITCH ASSEMBLY	1
2	P01304	TOGGLE SWITCH - ON/OFF	1
3	P01305	SWITCH PLATE-OFF	1
4	P60014	TYWRAP	12
5	P60048	HARNESS-UNDER COVER	1
6	P60049	JUMPER WIRE-P63	1
7	P60063	HARNESS-THRU HEAD, DDEC III	1
8	P64206	SOLENOID TERMINAL	3
9	M8069	PUSH-ON TERMINAL	3

MOST VEHICLES WITH DDEC III OR DDEC IV ARE PRE-WIRED AT THE VOEM PLANT. IS THE VEHICLE IS NOT PRE-WIRED, CONTACT THE APPROPRIATE VOEM FOR THE CAB HARNESS

