

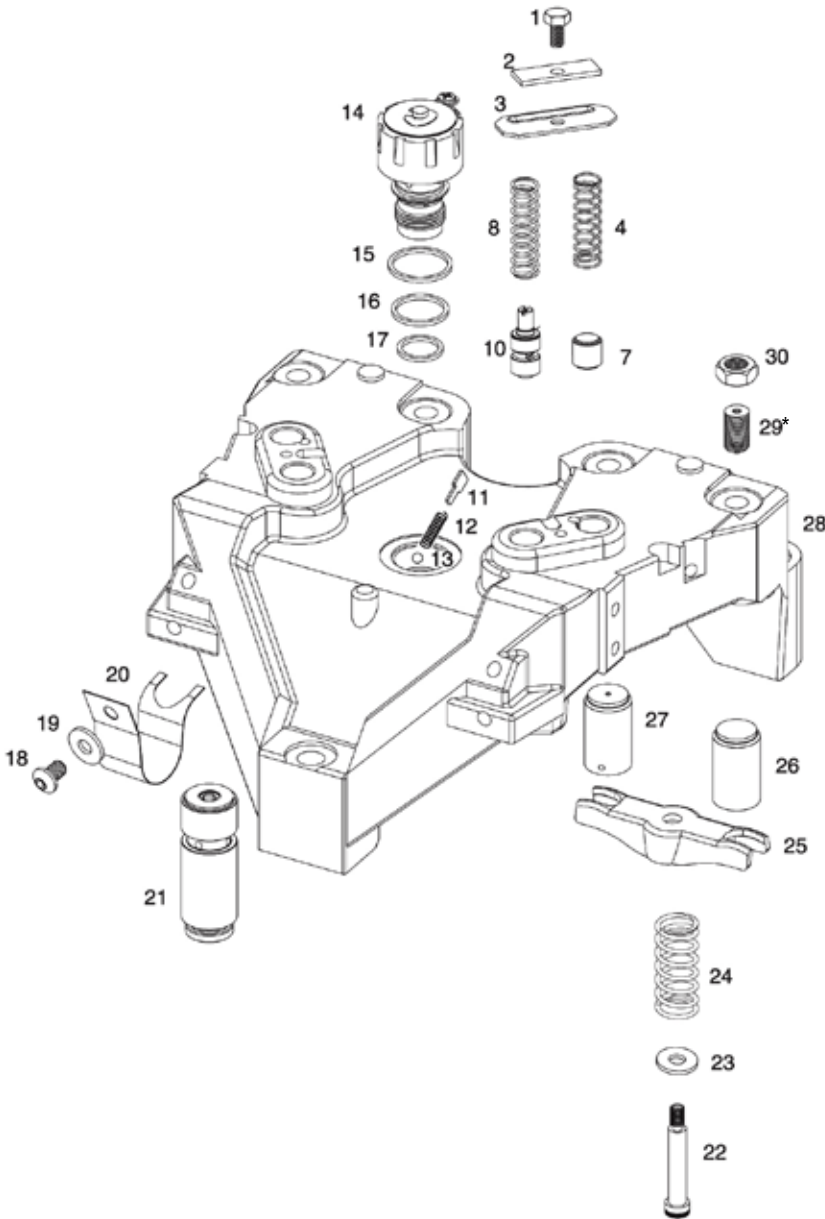
# P-63

## ENGINE BRAKE PARTS GUIDE

APPLICATION | DETROIT DIESEL SERIES 60

**/// PAC BRAKE®**

# P-63 - P60005 HOUSING ASSEMBLY



#	PART #	DESCRIPTION	QTY
1	P01492	CAPSCREW-1/4x1/2 HEXHEAD	2
2	P60019	SPRING PLATE	2
3	P34650	CONTROL VALVE COVER	2
4	P60054	ACCUMULATOR SPRING-NATURAL	2
7	P60060	ACCUMULATOR PISTON	2
8	P60053	CONTROL VALVE SPRING-BLUE	2
10	P01500	CONTROL VALVE	2
11	P60042	BALL CHECK RETAINER	1
12	P60041	BALL CHECK SPRING	1
13	P60039	BALL CHECK	1
14	P04205	SOLENOID-12VOLT	1
15	P01081	SOLENOID SEAL-UPPER	1
16	P01082	SOLENOID SEAL-CENTER	1
17	P01083	SOLENOID SEAL-LOWER	1
18	P03795	CAPSCREW-1/4-20 x 1/2	2
19	P38015	PLAIN WASHER	2
20	P60013	FLAT SPRING	2
21	P60016	MASTER PISTON-BALL CHECK 3/4" O.D.	2
22	P60096	SHOULDER BOLT	2
23	P80088	SPRING RETAINER	2
24	P80089	BRIDGE SPRING	2
25	P60070	SLAVE PISTON BRIDGE	2
26*	P05612	SLAVE PISTON - 3/4" O.D. OUTER	2
27*	P60008	SLAVE PISTON - 3/4" O.D. INNER	2
28	N/A	BARE HOUSING	
29	P40072	PAFLASH SCREW (12.7)*(RED)-0.114" PROTRUSION	4
*29	P60120	PAFLASH SCREW (12.7)(YELLOW)-0.123" PROTRUSION	4
30	P09355	JAMNUT 1/2 NF	4
Ni.	P60005	ENGINE RETARDER HOUSING-P63	3
Ni.	P60101	TUNE UP KIT-P61/P63/A/B/C (SOLD SEPARATELY)	

## BASE KITS FOR P-63 - P63000

NO LONGER AVAILABLE. USE P-63A BASE KIT - P63008 AS A REPLACEMENT

### \*P-63 PAFLASH SCREW AND MASTER PISTON INFORMATION

SERIAL NO.	PAFLASH SCREW	MASTER PISTON
PRIOR TO 12693	P60120 (YELLOW)	P60016
12693 - 14111	P40072 (RED)	P60020
AFTER 14111	P40072 (RED)	P60016

**CAUTION:** P60016 PISTON CONTAINS A BALLCHECK. P60020 PISTON CONTAINS AN ORIFICE. DO NOT INTERMIX THESE PISTONS IN THE HOUSINGS.

**CAUTION:** DO NOT MIX SINGLE AND MULTI SPRINGS IN HOUSINGS. WHEN SERVICE IS REQUIRED SINGLE SPRINGS SHOULD BE USED TO REPLACE MULTI SPRINGS.

\*SINGLE CONTROL AND ACCUMULATOR SPRINGS REPLACE PREVIOUS MULTI SPRING COMBINATIONS PREVIOUSLY USED.

## \*SHORTER SLAVE PISTONS FOR ENGINES WITH RE-MAN CYLINDER HEADS.

#	PART #	DESCRIPTION	QTY
26	P60081	SLAVE PISTON - OUTER	2 (p/Hsg)
27	P60082	SLAVE PISTON - INNER	2 (p/Hsg)

## BASE KITS FOR P-63 SUPERCEDED TO P63C - P63008

#	PART #	DESCRIPTION	QTY
1	P60010	ENGINE RETARDER HOUSING-P61	3
2	P60023	SPACER BAR	2
3	P60050	ATTACHING PARTS GROUP P61/P63	1

## ATTACHING GROUP FOR P-61/P-63 - P60050

#	PART #	DESCRIPTION	QTY
1	P60021	CAPSCREW-12PT	9
2	P60022	WASHER	9

## OPTION ITEMS FOR P-61/P-63

#	PART #	DESCRIPTION	QTY
1	P1226T	WOBBLE SWITCH & BRACKET GROUP	1
2	P11494	SOLENOID SOCKET	1
3	P60085	HARNESSEXTENSION-COE, DDEC II	1

## CONTROL GROUPS FOR P-61/P-63 WITH DDEC II - P60150

#	PART #	DESCRIPTION	QTY
1	P02970	TOGGLE SWITCH ASSEMBLY	1
2	P01304	TOGGLE SWITCH - ON/OFF	1
3	P01305	SWITCH PLATE-OFF	1
4	P01495	CLUTCH SWITCH ASSEMBLY	1
5	P60045	RELAY-12 VOLT CN	1
6	P60100	SELF DRILL & TAP SCREW	1
7	P01300	FUSE HARNESSE	1
8	P60014	TIE-STRAP	12
9	P60046	HARNESSE-DDEC	1
10	P60047	HARNESSE-THRU HEAD	1
11	P60048	HARNESSE-UNDER COVER	1
12	P64206	SOLENOID TERMINAL	3

## CONTROL GROUPS FOR P-61/P-63C WITH DDEC III/IV - P60155

#	PART #	DESCRIPTION	QTY
1	P02970	TOGGLE SWITCH ASSEMBLY	1
2	P01304	TOGGLE SWITCH - ON/OFF	1
3	P01305	SWITCH PLATE-OFF	1
4	P60014	TYWRAP	12
5	P60048	HARNESSE-UNDER COVER	1
6	P60049	JUMPER WIRE-P63	1
7	P60063	HARNESSE-THRU HEAD, DDEC III	1
8	P64206	SOLENOID TERMINAL	3
9	M8069	PUSH-ON TERMINAL	3

MOST VEHICLES WITH DDEC III OR DDEC IV ARE PRE-WIRED AT THE VOEM PLANT. IS THE VEHICLE IS NOT PRE-WIRED, CONTACT THE APPROPRIATE VOEM FOR THE CAB HARNESSE

