

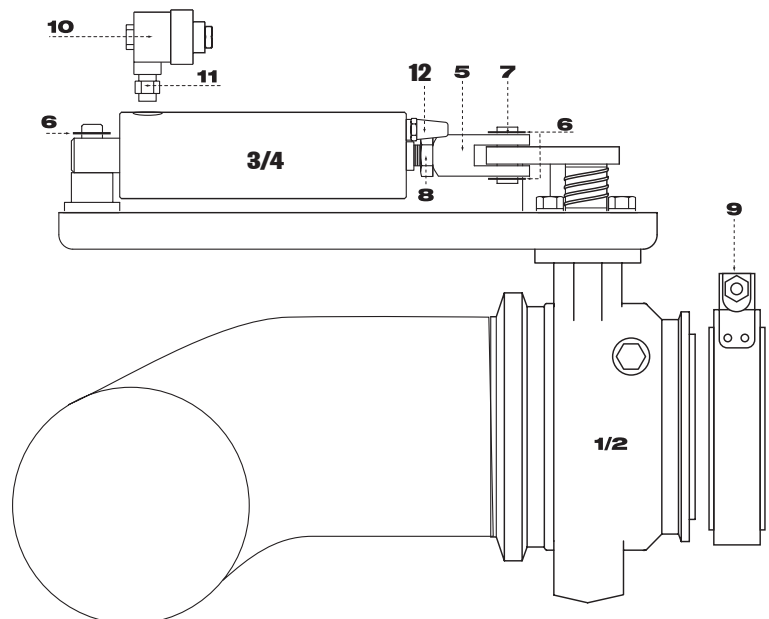
CATERPILLAR APPLICATIONS

AFTER MKT KIT#	DESCRIPTION	BRAKE # (MY PRE 2000)	BRAKE # (MY2000 & AFTER)	CONTROL GROUP	MOUNTING GROUP
C12004	CATERPILLAR 3116MECH W/AIR	C10350	C20350	C10318	C10310*
C12005	CATERPILLAR 3116MECH W/O AIR	C10350	C20350	C11774	C10310*
C12009	CATERPILLAR 3116E/3126 W/AIR	C10350	C20350	C10319	C10310*
C12011	CATERPILLAR 3116E/3126 W/O AIR	C10350	C20350	C11775	C10310*
C12026	CATERPILLAR 3126B W/AIR	C10353	C20353	C10319	C10310*
C12027	CATERPILLAR 3126B W/O AIR	C10353	C20353	C11775	C10310*
C13031	CATERPILLAR 3116E/3126 W/PIPE W/AIR	C10390	N/A	C10319	C11546
C13041	CATERPILLAR 3116E/3126 W/PIPE W/O AIR	C10390	N/A	C11775	C11546
C16061	CATERPILLAR 3126B . 3126E & C7 W/PIPE W/AIR	C10392	N/A	C10319	C11546
C16071	CATERPILLAR 3126B . 3126E & C7 W/PIPE W/O AIR	C10392	N/A	C11775	C11546
**	CATERPILLAR C-9 W/AIR	N/A	C20278	C10319	C11750
**	CATERPILLAR C-9 W/O AIR	N/A	C20278	C11774	C11750
**	CATERPILLAR C-9 M2-112 W/AIR	N/A	C20275	C10319	C11750
**	CATERPILLAR C-9 M2-112 W/O AIR	N/A	C20275	C11774	C11750
**	CATERPILLAR C-9 M2-106 W/AIR	N/A	C20277	C10319	C11750 W/FL. PIPE
**	CATERPILLAR C-9 M2-106 W/O AIR	N/A	C20277	C11774	C11750 W/FL. PIPE

*C10310 is a single V-Clamp

** Order as groups to build kit

ILLUST. #	PART #	DESCRIPTION	QTY
1	see below	BRAKE HOUSING	1
2	see below	BRAKE HOUSING	1
3	C11596	CYLINDER 1 1/2" O.D.	1
4	C11602	CYLINDER 2" O.D.	1
5	C10415	CLEVIS	1
6	C10420	E-CLIP	3
7	C10425	CLEVIS PIN	1
8	C10430	CLEVIS JAM NUT	1
9	C10310	V-CLAMP	1
10	C10559	QUICK REL. VALVE	1
11	C10583	1/8" NPT STEEL FTG.	1
12	C10833	Cylinder Muffler	1

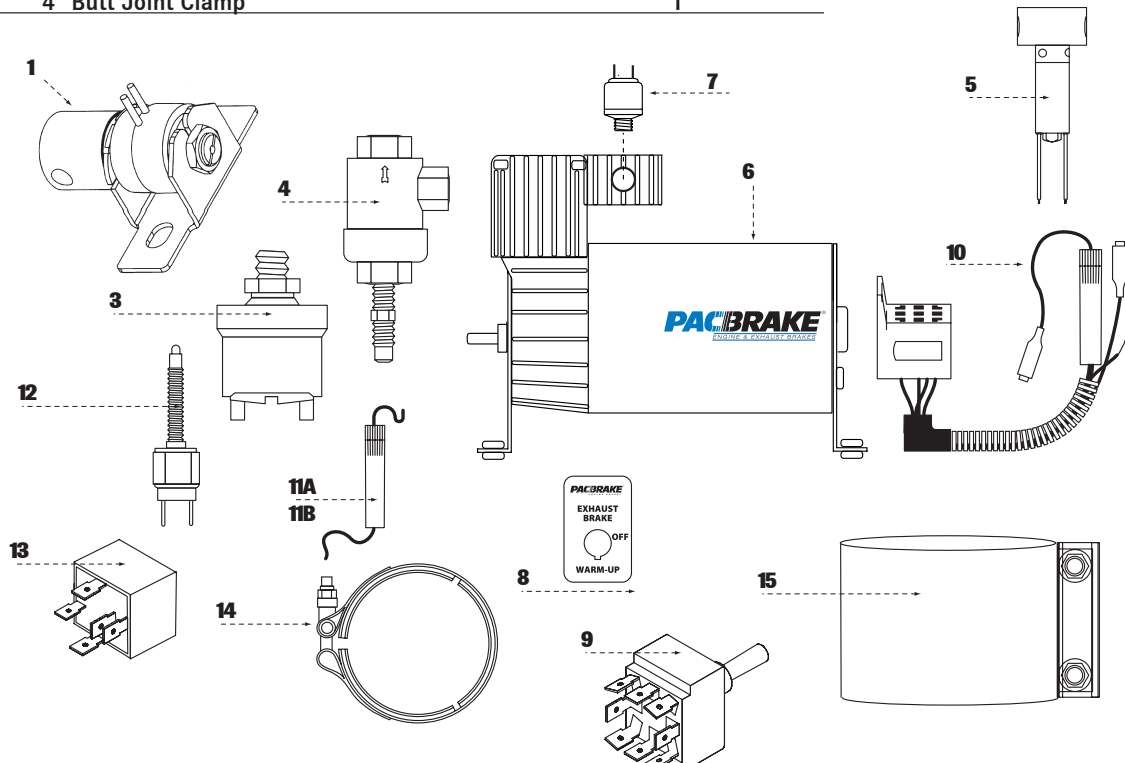


1A/B C10350/53 without pipe
 2A/B C10390/92 with pipe
 1A/B C20350/53 without pipe
 2A/B C20390/92 with pipe

Pacbrake Exhaust Brake Caterpillar

ILLUST. #	PART #	DESCRIPTION	QUANTITY INCLUDED IN EACH SUBGROUP			
			C10318	C10319	C11774	C11775
N.I.	C10107	8" Wire Braid Hose	1	1	0	0
1	C11935	12V Solenoid	1	1	0	0
N.I.	C10570	1/8" NPT Fitting to 1/4" Nylon	1	1	2	2
N.I.	C10572	90° 1/4" NPT Fitting to 1/4" Nylon	1	1	0	0
N.I.	C10583	1/8" NPT Steel Fitting	1	1	1	1
N.I.	C10660	1/4" Nylon Tube 4' long	1	1	0	0
N.I.	C10668	Nylon Tube 8' long	0	0	1	1
N.I.	C11042	1/4" NPT Fitting for #4 Wire Braid Hose	1	1	0	0
N.I.	C11043	#4 Female Fitting for Wire Braid Hose	1	1	0	0
3	C11560	Pressure Switch	0	0	1	1
4	C10559	Quick Release Valve w/ Orifice Fitting	0	0	1	1
5	C11590	Solenoid Valve	0	0	1	1
N.I.	C11721	Tee Fitting	0	0	1	1
N.I.	C11722	1/8" NPT to 1/8" NPT Close Nipple	0	0	1	1
6	C18022	Compressor	0	0	1	1
7	C11733	Breather	0	0	0	1
8	C11894	Switch Plate For Warm-up Applications	1	1	1	1
9	C11951	Lighted Switch For Warm Up Applications	1	1	1	1
10	P00831CT	Compressor Harness	0	0	1	0
11A	P01300	Fuse Harness C/W 10 Amp Fuse	1	1	0	0
11B	C11779	Fuse Harness C/W 20 Amp Fuse	0	0	0	1
12	P17470	Fuel Switch For Mechanical Engines Only	1	0	1	0
13	P60045	12 Volt Relay	0	1	1	1
14	C10310	Turbo To Brake V-Clamp	1	1	1	1

ILLUST. #	PART #	DESCRIPTION	QUANTITY INCLUDED IN EACH SUBGROUP	
			C10310	C11358
14	C11360	V-clamp	1	1
15	C11358	4" Butt Joint Clamp		1



Need to know more? ... Call 800-663-0096
or visit our website www.pacbrake.com

PACBRAKE
ENGINE & EXHAUST BRAKES

L1013.041508