

P-39A

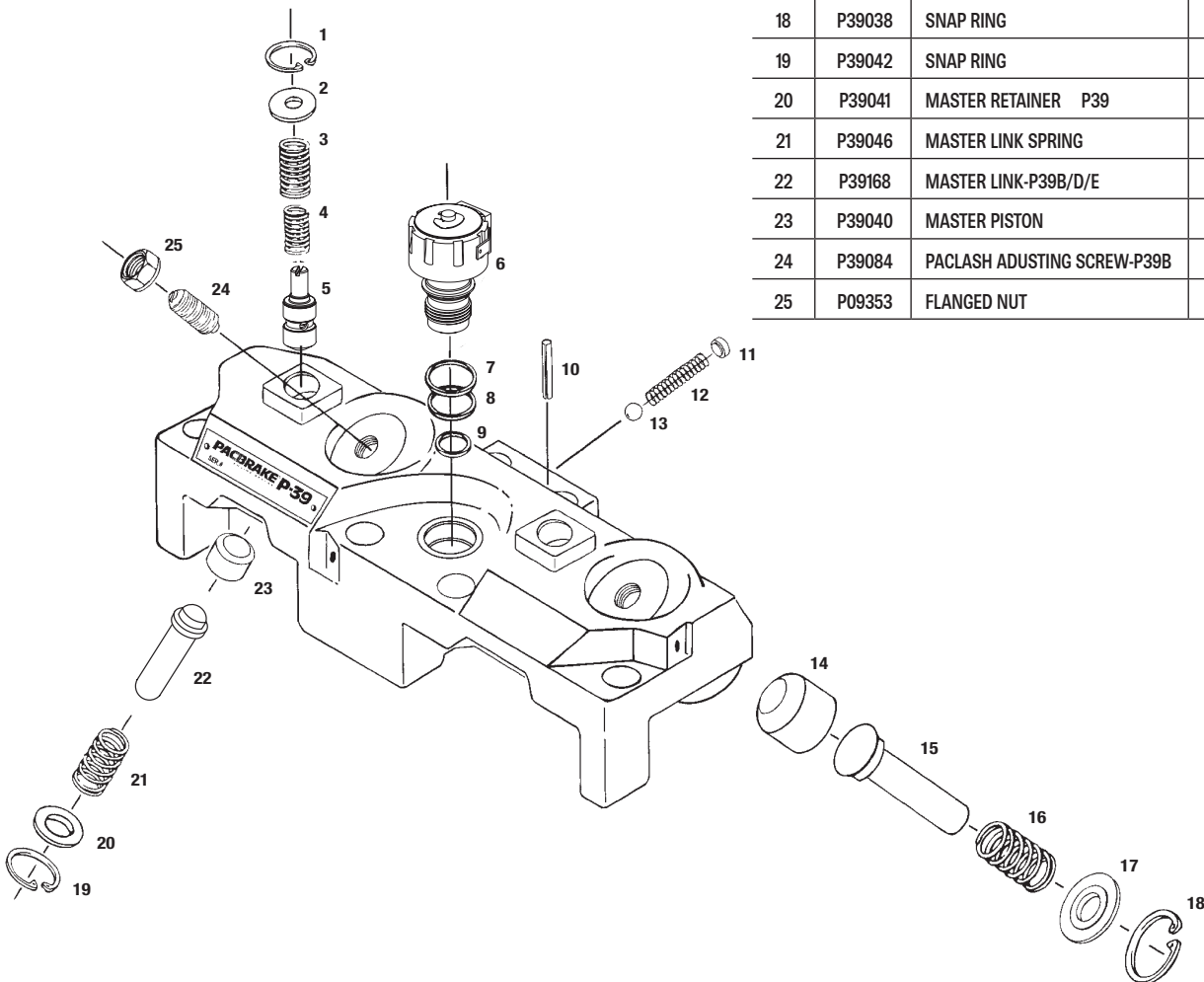
ENGINE BRAKE PARTS GUIDE

APPLICATION | CATERPILLAR C-15/C-16 3406E ENGINES

PACBRAKE®

**P-39A (SUPERSEDED TO P-39B)
P39007/P39009 HOUSING ASSEMBLY**

#	PART #	DESCRIPTION	QTY
1	P15561	SNAP RING	2
2	P38015	PLAIN WASHER	2
3	P11434	OUTER CONTROL VALVE SPRING	2
4	P11435	INNER CONTROL VALVE SPRING	2
5	P01500	CONTROL VALVE	2
6	P39015	SOLENOID 12VOLT D/L	1
7	P01081	SOLENOID SEAL-UPPER	1
8	P01082	SOLENOID SEAL-CENTER	1
9	P01083	SOLENOID SEAL-LOWER	1
10	P39022	REGULATOR SPRING PIN	1
11	P39023	REGULATOR RETAINER	1
12	P39020	REGULATOR SPRING	1
13	P39021	REGULATOR BALL	1
14	P39030	SLAVE PISTON	2
15	P39135	SLAVE PISTON LINK	2
16	P39032	SLAVE PISTON SPRING	2
17	P39037	SLAVE RETAINER P39B	2
18	P39038	SNAP RING	2
19	P39042	SNAP RING	2
20	P39041	MASTER RETAINER P39	2
21	P39046	MASTER LINK SPRING	2
22	P39168	MASTER LINK-P39B/D/E	2
23	P39040	MASTER PISTON	2
24	P39084	PACLASH ADJUSTING SCREW-P39B	2
25	P09353	FLANGED NUT	2

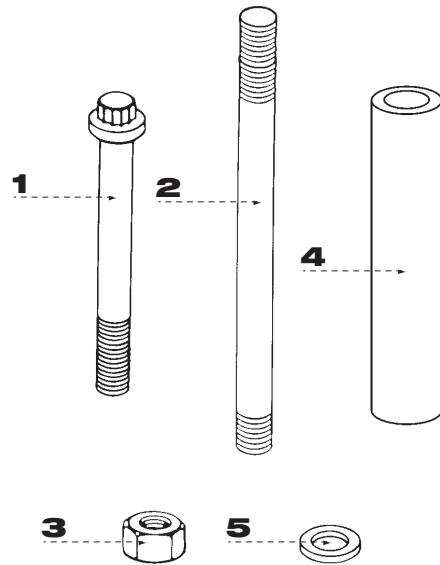


ATTACHING GROUP

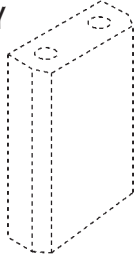
#	PART #	DESCRIPTION	QTY
1	P39072	CAPSCREW-P39 SERIES	12
2	P39077	STUD-P39	3**
*3	P39073	NUT-HEAVY HEX	3**
4	P39048	SUPPORT TUBE - P39	3**
*5	P39074	WASHER-P39	12

* HOUSINGS PRIOR TO SERIAL NO. 007477 REQUIRE P01094 HEX NUTS AND P39074 BEARING WASHERS

** PRIOR TO HOUSING SERIAL NO. 26029 QTY = 6



PART NUMBER P39060 PEDESTAL IS REPLACED BY P39048 SUPPORT TUBES ON ALL P-39 MODELS



OPTIONAL ITEMS

#	PART #	DESCRIPTION	QTY
1	P60125	SWITCH PLATE	1
2	P02957	TOGGLE SWITCH-1/2/3	1
3	P01305	SWITCH PLATE-OFF	1
4	P01304	TOGGLE SWITCH - ON/OFF	1
5	P11494	SOLENOID SOCKET	1

