

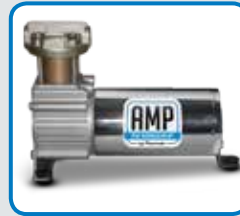
Compressor Specifications

HP325 SERIES AMP AIR COMPRESSORS

Pacbrake's HP325 series air compressors have a 33% (20 minutes @ 100 psi) duty cycle and are offered in both 12 and 24 VDC. These ¼ horsepower compressors utilize an oil-less design, sealed bearings, a PTFE piston ring, a copper wire wound permanent magnet motor and a hard anodized aluminum sleeve.

The Premium Air Compressor Kit offers pre-built wiring harnesses for the ultimate ease in installation.

- Sealed bearings
- Cast aluminum cylinder head
- Hard anodized aluminum cylinder
- PTFE piston ring
- Mountable in any orientation

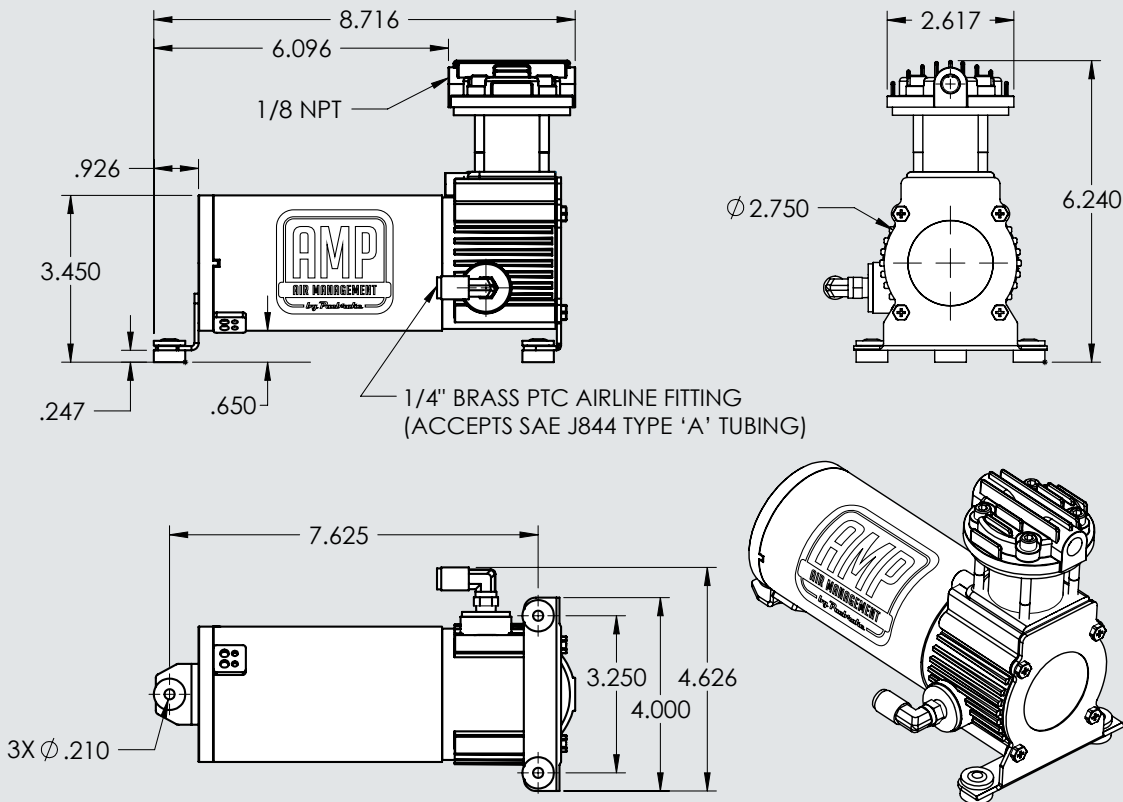


HP10143
HP325 12 VDC AIR COMPRESSOR
Duty Cycle: 33% (20 Minutes @ 100 psi)
Max Working Pressure: 150 psi [1034 kPa]
Voltage: 12 VDC
Size: 8.7" x 4" x 6.2" (LxWxH)
 [221 mm x 102 mm x 158 mm]
Weight: 5.5 lbs [2.49 kg]



HP10139
HP325 24 VDC AIR COMPRESSOR
Duty Cycle: 33% (20 Minutes @ 100 psi)
Max Working Pressure: 150 psi [1034 kPa]
Voltage: 24 VDC
Size: 8.7" x 4" x 6.2" (LxWxH)
 [221 mm x 102 mm x 158 mm]
Weight: 5.5 lbs [2.49 kg]

HP325 SERIES AIR COMPRESSOR DIMENSIONS (IN INCHES)



12 VDC SPECIFICATIONS

GENERAL DATA

PART NUMBER	HP10143
WEIGHT	5.5 lbs [2.49 kg]
AMBIENT TEMPERATURE RANGE	-40°F to 158°F [-40°C to 70°C]
MAX DUTY CYCLE	33% (20 minutes @ 100 psi)
INGRESS PROTECTION	IP55 w/remote intake (included)

PNEUMATIC DATA

RATED FLOW	1.1 SCFM
MAX WORKING PRESSURE	150 psi [1034 kPa]
MAX RESTART PRESSURE	135 psi [931 kPa]

ELECTRICAL MOTOR DATA

MOTOR TYPE	Permanent magnet DC
OPERATING VOLTAGE	12 VDC ± 15%
MAXIMUM CURRENT DRAW	17 A
NOMINAL POWER	¼ HP
NOMINAL SPEED	3000 RPM

*Operating life may be dependent on application

24 VDC SPECIFICATIONS

GENERAL DATA

MODEL	HP10139
WEIGHT	5.5 lbs [2.49 kg]
AMBIENT TEMPERATURE RANGE	-40°F to 158°F [-40°C to 70°C]
MAX DUTY CYCLE	33% (20 minutes @ 100 psi)
INGRESS PROTECTION	IP55 w/remote intake (included)

PNEUMATIC DATA

RATED FLOW	1.1 SCFM
MAX WORKING PRESSURE	150 psi [1034 kPa]
MAX RESTART PRESSURE	135 psi [931 kPa]

ELECTRICAL MOTOR DATA

MOTOR TYPE	Permanent magnet DC
OPERATING VOLTAGE	24 VDC ± 15%
MAXIMUM CURRENT DRAW	9 A
NOMINAL POWER	¼ HP
NOMINAL SPEED	3000 RPM

*Operating life may be dependent on application

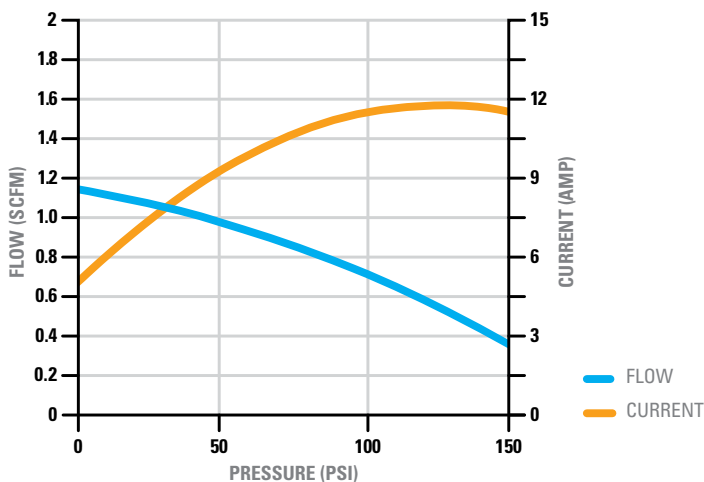
12 VDC TANK FILL TIME

TANK SIZE	TANK PART #	0 to 100 psi	100 to 150 psi
½ Gallon	HP10053	23 seconds	23 seconds
2 ½ Gallon	HP10050	157 seconds	130 seconds

24 VDC TANK FILL TIME

TANK SIZE	TANK PART #	0 to 100 psi	100 to 150 psi
½ Gallon	HP10053	33 seconds	25 seconds
2 ½ Gallon	HP10050	174 seconds	155 seconds

HP325 12 VDC - CURRENT & FLOW RATE VS PRESSURE (13.8 VDC)



HP325 24 VDC - CURRENT & FLOW RATE VS PRESSURE (27.6 VDC)

