

# Solenoid Specifications

## SOLENOID OPERATED PNEUMATIC DIRECTIONAL CONTROL VALVES

Pacbrake offers various vacuum and air solenoid configurations to meet any specialty requirement or mounting location. Our engineered commercial-duty and severe-duty solenoids have been through some of the toughest testing grounds the world has to offer.

Pacbrake's experience designing cost effective hydraulic and pneumatic solenoids with demanding requirements has equipped Pacbrake with the experience to integrate solenoid controls into any application.



### KEY FEATURES

- Vacuum and air solenoids
- 2 and 3 way solenoid configurations
- Stackable applications available
- 12 and 24 volt solenoids rated for automotive use
- Severe-duty applications

## 3-WAY, 2-POSITION

- 'IN' port normally closed
- 'CYL' port normally open to exhaust (atmosphere)
- 18" [457 mm] long 18 AWG wire lead length
- Anodized aluminum valve body
- Zinc chromate plated carbon steel solenoid body

### SPECIFICATIONS

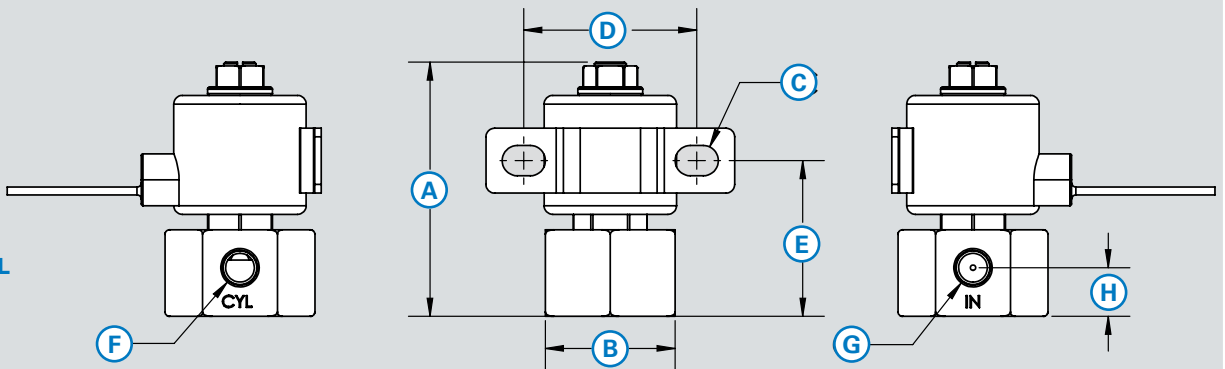
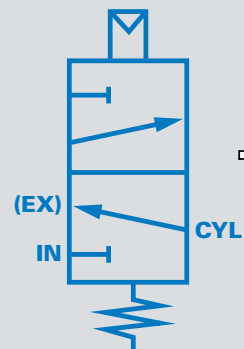
<b>WORKING TEMPERATURE RANGE:</b>	-40°F to 185°F [-40°C to 85°C]
<b>MAXIMUM WORKING PRESSURE:</b>	0 psi to 150 psi [0 kPa to 1034 kPa]
<b>ORIFICE SIZE:</b>	2 x 3/32" [2 x 2.38 mm]



**C11935 PNEUMATIC SOLENOID**  
**Voltage Range:** 12 VDC  
**Coil Resistance:** 10 Ω  
**A:** 2.91" [74.0 mm]  
**B (Hex):** 1.50" [38.1 mm]  
**C:** .35" X .50" [8.9 mm X 12.7 mm]  
**D:** 2.00" [50.8 mm]  
**E:** 1.8" [45.7 mm]  
**F (Port):** 1/8"-27 (-2) NPTF  
**G (Port):** 1/8"-27 (-2) NPTF  
**H:** .563" [14.3 mm]



**C11979 PNEUMATIC SOLENOID**  
**Voltage Range:** 24 VDC  
**Coil Resistance:** 50 Ω  
**A:** 2.91" [74.0 mm]  
**B (Hex):** 1.50" [38.1 mm]  
**C:** .35" X .50" [8.9 mm X 12.7 mm]  
**D:** 2.00" [50.8 mm]  
**E:** 1.8" [45.7 mm]  
**F (Port):** 1/8"-27 (-2) NPTF  
**G (Port):** 1/8"-27 (-2) NPTF  
**H:** .563" [14.3 mm]



AIR SUSPENSION

IN-CAB CONTROLS

ONBOARD AIR

COMPONENTS

WARRANTY

## 4-WAY, 2-POSITION

- 6 Watt
- .5 Amps current holding
- Spring return with flush non-locking override
- 1/8" (-2) NPTF
- Lubricant free assembly
- Loctite applied to fasteners
- Energize time: 0.012 ms
- De-energize time: 0.006 sec
- Designed to meet NEMA 4/IP65
- Flow capacity: 197 NI/m @ 6 bar upstream /5 bar downstream [9.3 SCM @ 80 psig upstream/atmosphere downstream]
- 15" [457 mm] long 18 AWG pigtail



### C11829

#### LIGHT DUTY SOLENOID

**Voltage Range:** 12 VDC

**Coil Resistance:** 25 Ω

**A:** 3.14" [79.8 mm]

**B:** 1.19" [30.2 mm]

**C:** .90" [22.9 mm]

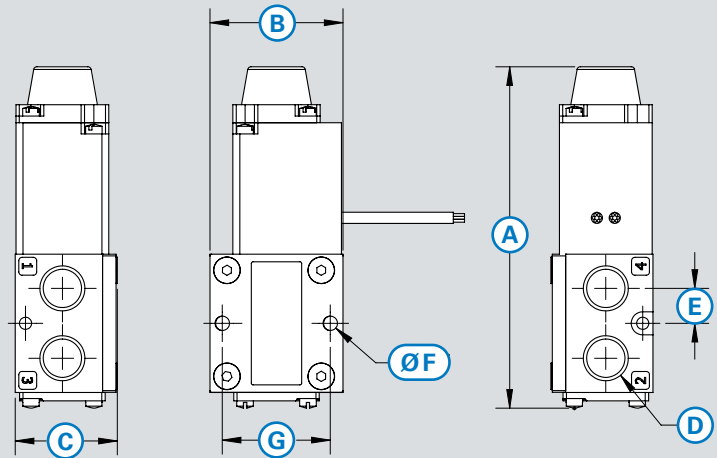
**D:** 4 x 1/8" (-2) NPTF

**E:** 4 x .31" [4 x 7.9 mm]

**F:** 3 x .11" [3 x 2.8 mm] Thru

**G:** .97" [24.6 mm]

SPECIFICATIONS	
<b>WORKING TEMPERATURE RANGE:</b>	-40°F to 185°F [-40°C to 85°C]
<b>WORKING PRESSURE:</b>	28" Hg to 150 psig [Vacuum to 10 bar]
<b>FLOW RATE:</b>	Cv 0.20



## 3-WAY, 2-POSITION

- Direct acting, spring return
- Inlet – normally closed, Cyl – normally open to vent (atmosphere)
- 1/4" (-4) NPTF IN and CYL port
- 6" [152 mm] long 18 AWG (UL 3173) pigtail
- Brass solenoid base
- Zinc chromate plated carbon steel solenoid body
- 1N4006 internal suppression diode
- NEMA 1 Protection



### C10611

#### HEAVY DUTY SOLENOID

**Voltage Range:** 24 VDC

**Coil Resistance:** 36 to 45 Ω

**Max Power:** 14 Watts

**A:** 3.052" [77.5 mm]

**B:** 1.560" [39.6 mm]

**C:** 2 x 1/4" (-4) NPT

**D:** 10-32 UNF .380 [9.7 mm]

**E:** .880" [22.4 mm]

**F:** .880" [22.4 mm]

SPECIFICATIONS	
<b>WORKING TEMPERATURE RANGE:</b>	-40°F to 248°F [-40°C to 120°C]
<b>MAXIMUM WORKING PRESSURE:</b>	0 psi to 135 psi [0 kPa to 931 kPa]
<b>FLOW RATE:</b>	Cv 0.18
<b>PROOF PRESSURE:</b>	500 psi [3448 kPa]
<b>BURST PRESSURE:</b>	6000 psi [41369 kPa]
<b>ORIFICE SIZE:</b>	2 x 3/32" [1.52+/-0.08 mm 2 x 2.38 mm]
<b>MAX FREQUENCY:</b>	300 Cpm
<b>RESPONSE TIME:</b>	5-15 ms

